

# SPDT RF Switch

## VSW2-33-10W+

### The Big Deal

- High Input Power, 10W (cold switching)
- Very low insertion loss, 0.5 dB typ. at 1GHz
- Positive Control Voltage, 0/3V or 0/5V
- Small Size: 2mm x 3mm x 1mm



CASE STYLE: JZ1436

### Product Overview

VSW2-33-10W+ is a PHEMT high power reflective SPDT switch operates with positive control voltage while consuming, 20 $\mu$ A typical. Compared to competitive models, it operates over a wide frequency range, 50-3000 MHz and control voltages up to +5V. It is packaged in a tiny 2mm x 3mm x 1mm package and is rated MSL1 and class 1A for HBM.

Feature	Advantages
Broadband: 50-3000 MHz	Covers a range of wireless applications such as Cellular, PCS, LTE, WiMAX, Avionics, Broadcast, CATV, GPS, Radar etc.
High Input Power: 10W (cold switching) at +5V control	Suitable for Transmit/receive switching
Low Insertion Loss: 0.5 dB typ. at 1 GHz	Premium high power is transmitted with minimal loss and temperature rise of the DUT. In receive path results in minimal increase of system noise figure.
Positive control Voltage: 0/3V or 0/5V	No external components are required for change of operating voltage from 3 to 5V
Good Isolation: 26 dB to 1 GHz and 18 dB to 3 GHz	Minimizes filtering requirement.



For detailed performance specs & shopping online see web site

P.O. Box 350166, Brooklyn, New York 11235-0003 (718) 934-4500 Fax (718) 332-4661 The Design Engineers Search Engine  Provides ACTUAL Data Instantly at [minicircuits.com](http://minicircuits.com)

IF/RF MICROWAVE COMPONENTS

**Notes:** 1. Performance and quality attributes and conditions not expressly stated in this specification sheet are intended to be excluded and do not form a part of this specification sheet. 2. Electrical specifications and performance data contained herein are based on Mini-Circuit's applicable established test performance criteria and measurement instructions. 3. The parts covered by this specification sheet are subject to Mini-Circuits standard limited warranty and terms and conditions (collectively, "Standard Terms"); Purchasers of this part are entitled to the rights and benefits contained therein. For a full statement of the Standard Terms and the exclusive rights and remedies thereunder, please visit Mini-Circuits' website at [www.minicircuits.com/MCLStore/terms.jsp](http://www.minicircuits.com/MCLStore/terms.jsp).

# SPDT RF Switch

50Ω 50-3000 MHz

Reflective RF Switch 10W  
Positive Control Voltage; +3V to +5V

## Product Features

- High Power, 10 W (cold switching)
- Good Isolation, 26 dB typ. at 1 GHz
- Low insertion loss, 0.5 dB typ. at 1 GHz
- High IP3, 56 dBm typ. at 1 GHz
- Small size, 3mm x 2mm x 0.89 mm
- Aqueous washable

## Typical Applications

- Automated switching networks
- Cellular/ PCS
- ISM, WCDMA, WiMAX, LTE, TD-SCDMA



## VSW2-33-10W+

CASE STYLE: JZ1436  
PRICE: \$2.95 ea. QTY. (20)

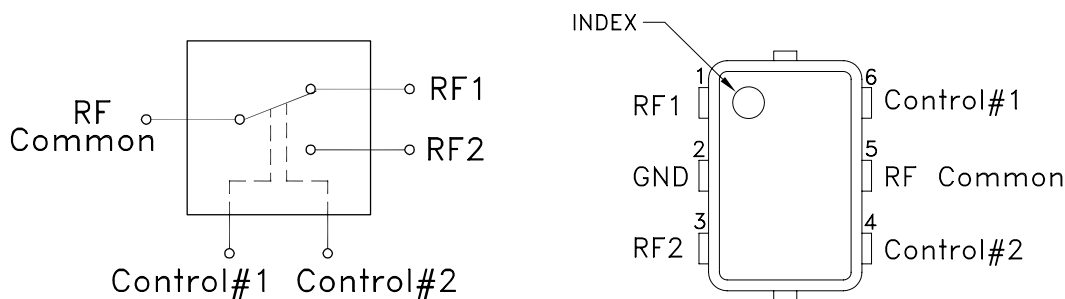
+ RoHS compliant in accordance with EU Directive (2002/95/EC)

The +Suffix has been added in order to identify RoHS Compliance. See our web site for RoHS Compliance methodologies and qualifications.

## General Description

VSW2-33-10W+ is a high power reflective SPDT switch operates with positive control voltage while consuming, 20μA typical. It has been designed for very wideband operation of 50-3000 MHz for 50Ω systems. It is packaged in a tiny 2mm x 3mm x 1mm package and is rated MSL1 and class 1A for HBM.

## Simplified Schematic and Pad Description



Function	Pad Number	Description
RF COM	5	RF Common/ SUM Port, requires DC block (see Fig. 2)
RF1	1	RF Out #1/In Port #1, requires DC block (see Fig. 2)
RF2	3	RF Out #2/In Port #2, requires DC block (see Fig. 2)
Control #1 ( $V_{CTL1}$ )	6	Control IN #1
Control #2 ( $V_{CTL2}$ )	4	Control IN #2
GND	2	RF DC Ground

**Mini-Circuits®**  
ISO 9001 ISO 14001 AS 9100 CERTIFIED  
The Design Engineers Search Engine Provides ACTUAL Data Instantly at [minicircuits.com](http://minicircuits.com)  
IF/RF MICROWAVE COMPONENTS

For detailed performance specs & shopping online see web site

P.O. Box 350166, Brooklyn, New York 11235-0003 (718) 934-4500 Fax (718) 332-4661

Notes: 1. Performance and quality attributes and conditions not expressly stated in this specification sheet are intended to be excluded and do not form a part of this specification sheet. 2. Electrical specifications and performance data contained herein are based on Mini-Circuit's applicable established test performance criteria and measurement instructions. 3. The parts covered by this specification sheet are subject to Mini-Circuits standard limited warranty and terms and conditions (collectively, "Standard Terms"); Purchasers of this part are entitled to the rights and benefits contained therein. For a full statement of the Standard Terms and the exclusive rights and remedies thereunder, please visit Mini-Circuits' website at [www.minicircuits.com/MCLStore/terms.jsp](http://www.minicircuits.com/MCLStore/terms.jsp).

REV. OR  
M132904  
VSW2-33-10W+  
RS/TH/CP/AM  
110811  
Page 2 of 6

RF Electrical Specifications<sup>(1)</sup>, 50 - 3000 MHz,  $T_{AMB}=25^{\circ}\text{C}$ ,  $V_{CTL}=+3\text{V}$  to  $+5\text{V}$ 

Parameter	Condition (MHz)	Min.	Typ.	Max.	Units	
Frequency Range		50		3000	MHz	
Insertion Loss <sup>(2)</sup>	50	—	0.4	—	dB	
	500	—	0.4	0.6		
	1000	—	0.5	0.7		
	2000	—	0.6	0.8		
	3000	—	0.6	0.8		
Isolation (From RF COM to RF1/RF2 and RF1 to RF2 ports)	50	—	42	—	dB	
	500	28	31	—		
	1000	23	26	—		
	2000	17	22	—		
	3000	15	18	—		
Return Loss (ON STATE)	50	—	24	—	dB	
	500	—	27	—		
	1000	—	21	—		
	2000	—	17	—		
	3000	—	19	—		
Input IP3	100	—	55	—	dBm	
	500	—	56	—		
	1000	—	56	—		
	2000	—	55	—		
	3000	—	53	—		
Operating Power <sup>(4,5)</sup> (cold switching)	$V_{CTL}=3\text{V}$	50	—	—	7	W
		1000	—	—	7	
		2000	—	—	7	
		3000	—	—	7	
	$V_{CTL}=5\text{V}$	50	—	—	10	
		1000	—	—	10	
		2000	—	—	9	
		3000	—	—	7	

## DC Electrical Specifications

Parameter	Min.	Typ.	Max.	Units
Control Voltage Low ( $V_{CTL}$ )	0	—	0.2	V
Control Voltage High ( $V_{CTL}$ )	2.8	—	5.2	V
Control Current at ( $V_{CTL}=3\text{V}$ ) ( $V_{CTL}=5\text{V}$ )	—	—	—	$\mu\text{A}$
	—	20	—	
	—	42	—	

## Notes:

1. Tested on Mini-Circuits' test board TB-530+, (see Characterization Test Circuit, Fig.1).
2. Insertion loss values are deembedded from test board loss.
3. Do not exceed RF input power as shown in Absolute Maximum Rating table.
4. Derate linearly to 3W at 85°C ground lead temperature.
5. Compression 0.1 dB typ. over 1000-3000 MHz and 0.5dB typical at 50 MHz at max. operating power.

## Switching Specifications

Parameter	Control Voltage (V)	Min.	Typ.	Max.	Units
Rise/Fall Time (10 to 90% or 90 to 10% RF)	0/3		433		nSec
	0/5		150		
Switching Time, 50% CTRL to 90/10% RF	0/3		550		nSec
	0/5		306		
Video Feedthrough, (control 0 to 3V, freq.=500 KHz)	0/3		20		mV <sub>p,p</sub>
	0/5		28		



For detailed performance specs  
& shopping online see web site

P.O. Box 350166, Brooklyn, New York 11235-0003 (718) 934-4500 Fax (718) 332-4661 The Design Engineers Search Engine  Provides ACTUAL Data Instantly at [minicircuits.com](http://minicircuits.com)

IF/RF MICROWAVE COMPONENTS

Notes: 1. Performance and quality attributes and conditions not expressly stated in this specification sheet are intended to be excluded and do not form a part of this specification sheet. 2. Electrical specifications and performance data contained herein are based on Mini-Circuit's applicable established test performance criteria and measurement instructions. 3. The parts covered by this specification sheet are subject to Mini-Circuits standard limited warranty and terms and conditions (collectively, "Standard Terms"); Purchasers of this part are entitled to the rights and benefits contained therein. For a full statement of the Standard Terms and the exclusive rights and remedies thereunder, please visit Mini-Circuits' website at [www.minicircuits.com/MCLStore/terms.jsp](http://www.minicircuits.com/MCLStore/terms.jsp).

**Absolute Maximum Ratings<sup>(4)</sup>**

Parameter	Ratings
Operating Temperature	-40°C to +85°C
Storage Temperature	-65°C to 150°C
Control Voltage	10V
RF input power	22W, 50-2000 MHz 17W, 2000-3000 MHz

4. Operation of this device above any of these conditions may cause permanent damage.

**Truth Table** (State of control voltage selects the desired switch state)

State of Control Voltage		RF Common to	
V <sub>CTL1</sub>	V <sub>CTL2</sub>	RF1	RF2
Low	High	OFF	ON
High	Low	ON	OFF
Low	Low	N/A	N/A
High	High	N/A	N/A

ON- low insertion loss state OFF- Isolation State

**Characterization Test Circuit**

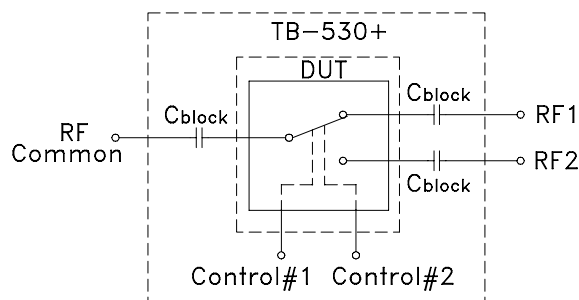


Figure 1: Block Diagram Of Test Circuit Used For Characterization. (DUT soldered on Mini-Circuit's TB-530+, Cblock=1000pF)

**Test Equipment:**

**For Insertion loss, Isolation, Return loss and DC current:**

Agilent's N5230A Network Analyzer , E3631A power supply.

**For Switching Time and DC Current:**

Agilent's 54832B oscilloscope, 81110A pulse generator and E3631A power supply.

**For Input IP3:**

Agilent's E8257D signal generators, E4418B power meter, N9020A Signal analyzer and E3631A power supply.

**For Compression:**

LZY-1+/LZY-2+/ZHL-900A-10W/ZHL-16W-43+ amplifier as driver amplifier at RF Common.  
Agilent's N5230A Network Analyzer, E3631A power supply

**Conditions:**

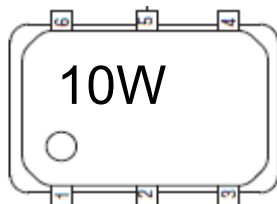
Control= 0 and 3V/5V

**For Insertion loss, isolation and return loss:** Pin=0 dBm

**For Input IP3:** Pin=+5dBm/tone.

**For Switching time:** RF frequency: 500 MHz at 0 dBm, Control Frequency: 100 KHz and 0 and +3/5V

Product Marking



**Additional Detailed Technical Information**

Additional information is available on our web site. To access this information enter the model number on our web site home page.

**Performance data, graphs**

**Case Style: JZ1436**

Plastic, finish: matte tin

**Tape & Reel: F93**

**Suggested Layout for PCB Design: PL-324**

**Evaluation Board: TB-530+**

**Environmental Ratings: ENV57**

**Recommended Application Circuit**

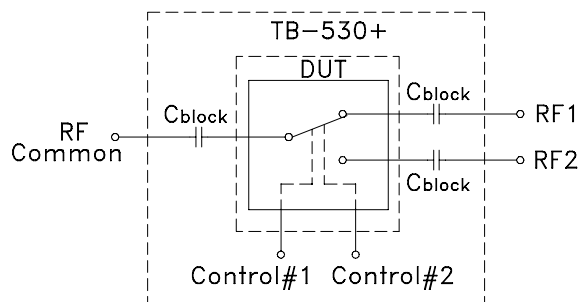


Fig. 2: Evaluation board includes case, connectors and components soldered to PCB.

Frequency (MHz)	Cblock (Suggested value)
50-3000	1000 pF

Cblock should be free of resonance over frequency of operation.

**ESD Rating**

Human Body Model (HBM): Class 1A (250 to < 500V) in accordance with JESD22-A114

Machine Model (MM): Class A (Passes 150V) in accordance with JESD22-A115

**MSL Rating**

Moisture Sensitivity: MSL1 in accordance with IPC/JEDEC J-STD-020D

**MSL Test Flow Chart**

