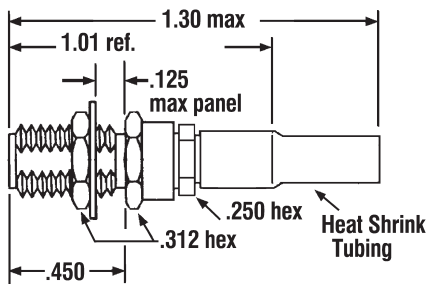




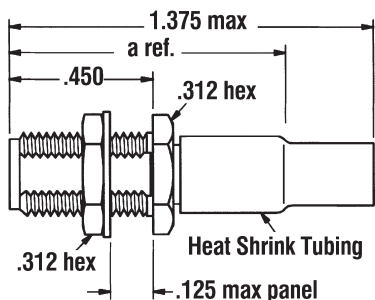
BULKHEAD JACK



FOR FLEXIBLE CABLE

MODEL	3610-1-*	3610-2-*	3610-3-*	3610-4-*	3610-5-*	3610-29-*
CABLE	RG55, 142, 223, 400	RG58, 141, 303	RG174, 179, 187, 188, 316	RG180, 195	RG178, 196	RG174DS, RG188DS, RG316DS
NOTES	captive contact crimp/clamp	captive contact crimp/clamp	captive contact crimp/clamp	captive contact crimp/clamp	captive contact crimp/clamp	captive contact crimp/clamp

BULKHEAD JACK

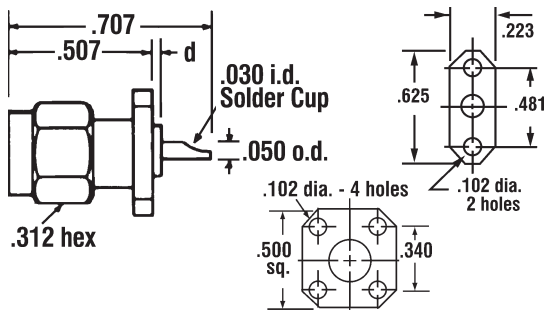


FOR FLEXIBLE CABLE

MODEL	3088-1-*	3088-2-*	3088-3-*	3088-4-*	3088-5-*
CABLE	RG55, 142, 223, 400	RG58, 141, 303	RG174, 179, 187, 188, 316	RG180, 195	RG178, 196
a =	.945	.945	.825	.945	.945
NOTES	non-captive contact crimp or solder	non-captive contact crimp or solder	non-captive contact crimp or solder	non-captive contact crimp or solder	non-captive contact crimp or solder

NOTE: For crimp version (passivated only) add suffix "C"

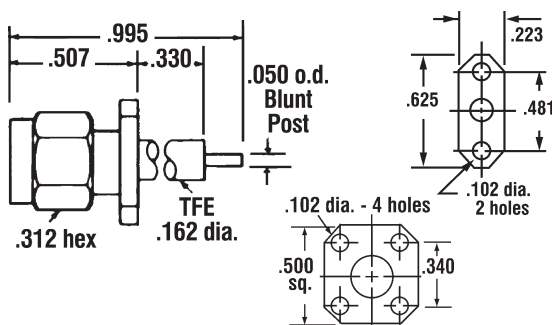
FLANGE MOUNT PLUG



RECEPTACLE

MODEL	3111-1-*	3111-2-*	3112-1-*	3112-2-*
FLANGE	4 hole	4 hole	2 hole	2 hole
d =	0.0	.025	0.0	.025
NOTES	captive contact without exposed TFE solder cup	captive contact with exposed TFE solder cup	captive contact without exposed TFE solder cup	captive contact with exposed TFE solder cup

FLANGE MOUNT PLUG



RECEPTACLE

MODEL	3214CC-*	3214-*	3117CC-*	3117-*
FLANGE	4 hole	4 hole	2 hole	2 hole
NOTES	captive contact blunt post	non-captive contact blunt post	captive contact blunt post	non-captive contact blunt post

Add "M" to part no. for .010 O.D. post and .085 DIA. TFE (Example: 3214MCC-*)

*-1 indicates gold plated stainless steel all over.

-9 indicates passivated (stainless finish) except in areas where gold plating is required for solderability.