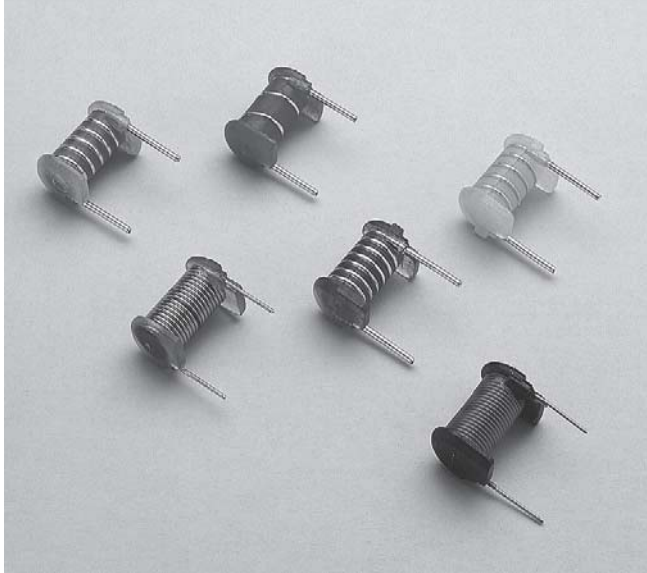




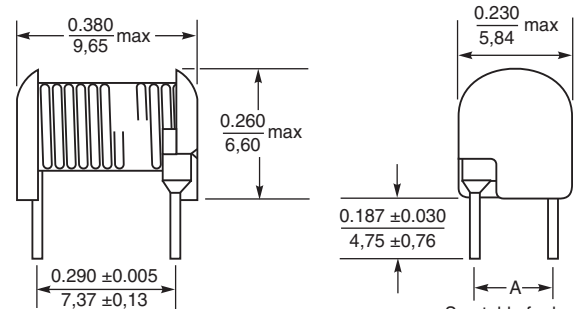
Fixed RF Inductors – 132 Series



These fixed RF coils are part of Coilcraft's series of insert molded inductors. This precision construction technique ensures constant winding pitch, long-term stability and tight tolerance ($\pm 5\%$) on inductance.

These high Q fixed inductors are available in standard values from 14.0 nH to 709 nH.

Coilcraft **Designer's Kit M304** contains three samples each of 20 standard values plus 13 values from the 148 Series. To order, please contact Coilcraft or visit <http://order.coilcraft.com>.



Weight: 245 – 510 mg See table for lead diameter and spacing

| Part number | L ² ±5% (nH) | Q min ² | SRF min ³ (MHz) | DCR max ⁴ (mOhms) | I _{rms} ⁵ (A) | Color | Turns | Lead gauge (AWG) | Dim A ⁶ (in/mm) | L ⁷ ±5% (nH) |
|-------------|-------------------------|--------------------|----------------------------|------------------------------|-----------------------------------|--------|-------|------------------|----------------------------|-------------------------|
| 132-01L | 14.0 | 60@ 50 MHz | 2500 | 2.1 | 4.0 | Brown | 1½ | 22 | 0.148/3,76 | 31.5 |
| 132-02L | 21.0 | 64@ 50 MHz | 2000 | 3.0 | 4.0 | Red | 2½ | 22 | 0.148/3,76 | 36.5 |
| 132-03L | 28.0 | 68@ 50 MHz | 1700 | 3.8 | 4.0 | Orange | 3½ | 22 | 0.148/3,76 | 44.0 |
| 132-04L | 37.5 | 72@ 50 MHz | 1550 | 4.7 | 4.0 | Yellow | 4½ | 22 | 0.148/3,76 | 53.5 |
| 132-05L | 49.0 | 75@ 50 MHz | 1240 | 5.7 | 4.0 | Green | 5½ | 22 | 0.148/3,76 | 64.0 |
| 132-06L | 61.5 | 80@ 50 MHz | 1160 | 6.6 | 4.0 | Blue | 6½ | 22 | 0.148/3,76 | 79.0 |
| 132-07L | 83 | 66@ 25 MHz | 900 | 7.4 | 3.5 | Violet | 7½ | 22 | 0.148/3,76 | 99.0 |
| 132-08L | 98 | 68@ 25 MHz | 800 | 8.0 | 3.5 | Gray | 8½ | 22 | 0.148/3,76 | 117 |
| 132-09L | 120 | 68@ 25 MHz | 700 | 9.0 | 3.5 | White | 9½ | 22 | 0.148/3,76 | 138 |
| 132-10L | 140 | 68@ 25 MHz | 615 | 10.0 | 3.0 | Black | 10½ | 22 | 0.148/3,76 | 158 |
| 132-11L | 180 | 66@ 25 MHz | 525 | 13.7 | 3.0 | Brown | 11½ | 23 | 0.148/3,76 | 197 |
| 132-12L | 220 | 72@ 25 MHz | 480 | 19.0 | 3.0 | Red | 12½ | 24 | 0.153/3,89 | 235 |
| 132-13L | 246 | 70@ 25 MHz | 440 | 20.3 | 3.0 | Orange | 13½ | 24 | 0.153/3,89 | 260 |
| 132-14L | 276 | 70@ 25 MHz | 410 | 22.5 | 3.0 | Yellow | 14½ | 24 | 0.153/3,89 | 290 |
| 132-15L | 333 | 72@ 25 MHz | 390 | 30.6 | 3.0 | Green | 15½ | 25 | 0.154/3,91 | 345 |
| 132-16L | 397 | 72@ 25 MHz | 365 | 40.3 | 2.5 | Blue | 16½ | 26 | 0.156/3,96 | 410 |
| 132-17L | 460 | 66@ 25 MHz | 340 | 43.1 | 2.5 | Violet | 17½ | 26 | 0.156/3,96 | 475 |
| 132-18L | 505 | 66@ 25 MHz | 325 | 57.3 | 2.0 | Gray | 18½ | 27 | 0.156/3,96 | 550 |
| 132-19L | 571 | 68@ 25 MHz | 310 | 61.2 | 2.0 | White | 19½ | 27 | 0.156/3,96 | 600 |
| 132-20L | 709 | 66@ 25 MHz | 275 | 82.7 | 1.5 | Black | 20½ | 28 | 0.160/4,06 | 720 |

1. When ordering, please specify **termination** code:

132-20L

Termination: L = RoHS compliant tin-silver over copper.
Special order: T = RoHS tin-silver-copper (95.5/4/0.5)
or S = non-RoHS tin-lead (63/37).

2. Inductance and Q measured with leads connected directly to the Agilent/HP 4287A.

3. SRF measured using the Agilent/HP 8753D.

4. DCR measured using the Cambridge Technology Model 510 Micro Ohmmeter.

5. Average current for a 20°C temperature rise from 25°C ambient.

6. Tolerance $\pm 0.005"/0,13$ mm.

7. The inductance values in column two are more accurate measurements taken on a contemporary meter. The old values in this column are for reference by existing users of these parts and were measured with leads connected directly to a Boonton 260-A.

8. Operating temperature range -40°C to 85°C.

9. Electrical specifications at 25°C.

COILCRAFT ACCURATE
PRECISION REPEATABLE
MEASUREMENTS
SEE INDEX **TEST FIXTURES**

Coilcraft®

Specifications subject to change without notice.
Please check our website for latest information.

Document 114 Revised 03/23/06

1102 Silver Lake Road Cary, Illinois 60013 Phone 847/639-6400 Fax 847/639-1469

E-mail info@coilcraft.com Web <http://www.coilcraft.com>