



WWW.BARRYIND.COM

H04Z-0300J2T-00C36-X



Aluminum Nitride

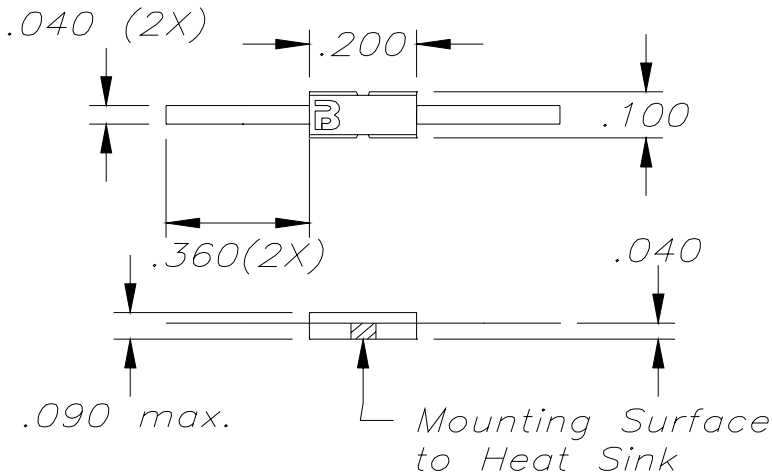
LEADED ATTENUATOR

Feature:

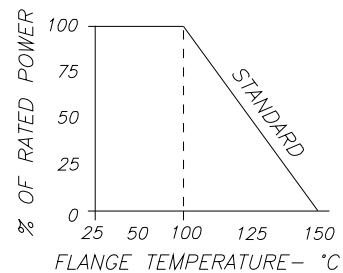
- ◆ AIN material
- ◆ 10 Watt power handling
- ◆ DC - 3 GHz

General Description:

The H04Z-0300J2T-00C36-X is a leaded 3 dB attenuator with a power rating of 10 Watts max while maintaining a base plate temperature of 100°C. It offers a frequency range from DC- 3 GHz.



DERATING CURVE:



Parameter	Min.	Typ.	Max.	Units
Frequency Range	DC		3	GHz
Input Return Loss	17			dB
Output Return Loss	17			dB
Attenuation	2	3	4	dB
Power Dissipation			10	Watts
Mounting Surface Temperature			100	°C

* Barry Industries reserves the right to change part number and or process without notification

Barry Industries, Inc., 60 Walton St., Attleboro, MA 02703 T: 508-226-3350 F: 508-226-3317 E-mail: sales@barryind.com

Barry is ISO 9001:2000 Certified by



Origination Date	Revision Date	Rev.
09/19/06	09/19/06	-